



Movexx **T2500-Clean Room**
PARTS & OPTIONS

Aug. **2019**

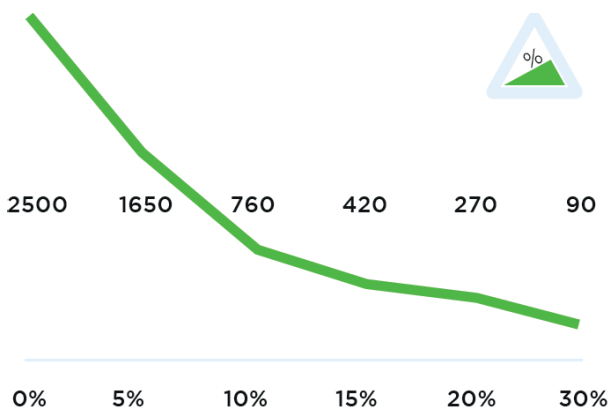
Specifications

Technical details

Frame	Stainless steel, glass pearl blasted
Motor	24V DC, 600W, 100 rpm
Weight	250 kg
Weight trailer	2500 kg
Battery	Built in
Speed Max.	4,7 km/h
Drive wheels	Nonmarking full rubber Ø 250 x 80 mm
Adze height	1066 mm
Noise level	68,5 dB
To use from	-10 °C / 40 °C
Protection class	Machine IP44

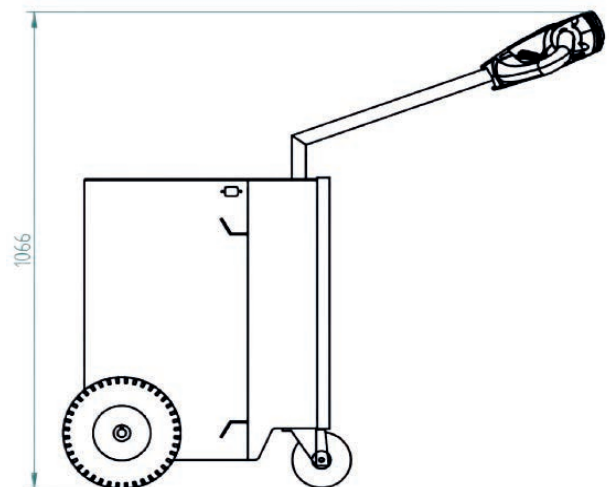
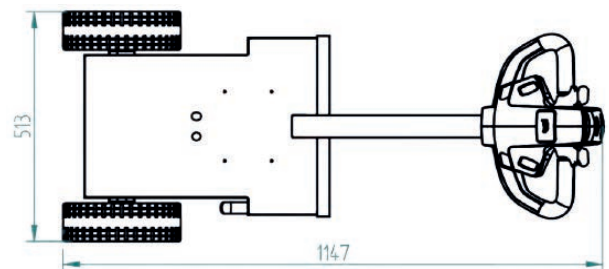
© 2019 Movexx International B.V. The images shown are used for illustration purposes only and may differ from the products indicated. No rights can therefore be derived from it. Printing errors are subjected to change.

Pulling power (in kg)



Measured with a trolley with 2 swivel wheels and 2 fixed castors. Wheel Ø 160 mm.

Dimensions



Standard parts



Motor 600W / 100rpm
(6911413X) with brake
Item number M2098



LED battery indicator
Item number M0123



Battery AGM-VRLA
12V / 80Ah
Item number M2102



Charger (internal)
AGM battery 24V / 10A
+ external indicator
Item number M2134



Drive wheel Cleanroom
full rubber, non-marking
Gray Ø 250 x 80 mm
Item number M0249



Caster wheel
Gray Ø 125 mm
Item number M0120

Standard parts



Belly button RED
Item number M0121-BBUT



2 programmable speeds

Options



Horn 90dB for
stainless steel
tiller head supp.
Item number OPT0414



Horn 103dB
Item number OPT0059



Emergency stop complete
Item number OPT0063

Options



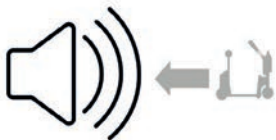
Strobe light for stainless steel tiller head supp.

Item number OPT0415



Audio signal (while driving)

Item number OPT0253



Audio signal (driving backward)

Item number OPT0254



Hour tracker

Item number OPT0056



Antistatic strip

Item number OPT0058



Code lock

Item number OPT0068

Options



Preparation electric hook

Item number OPT0143



Protection for electric connection, stainless steel

Item no OPT0263-RVS



Ignition key (unequal)

Item number OPT0145



Ignition key 701 (equal)

Item number OPT0146



On/off rotary switch

Item number OPT0016



Parking floorlabel Ø 60 cm

Item number OPT0245

Options



Customized programming
*Please indicate
specific settings*
Item number OPT0170



Programmer for Italsea
Item number D0003



Urgent order purchase
Item number SPOED

Batteries & Chargers



Battery AGM-VRLA
12V / 80Ah
Item number M2102

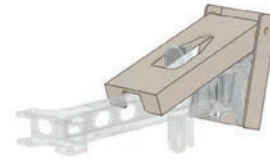


Charger (internal)
AGM battery 24V / 10A
+ external indicator
Item number M2134

Adapters



Angle limitation hook 90°
Item number OPT0244



Hook locking system
Stainless steel
Item number OPT0012



Electric lifting module
for hook, stainless steel
Item no OPT0050-RVS



Electric locking module
for hook
Item number OPT0129



HA245.55.45.0.0
(stainless steel)
Item nr H0004 Clean Rm



Vacuum hook
for stainless steel trolley
Item number H0093

Most common spareparts



Battery AGM-VRLA
12V / 80Ah
Item number M2102



Charger (internal)
AGM battery 24V / 10A
+ external indicator
Item number M2134



Belly button RED
Item number M0121-BBUT



Switch buttons (2x) green
Item number M0121-KNOP-GROEN



Switch tiller head
excl. buttons
Item number M0121-FLIPPER



Feather/shaft Throttle
Item number M0121-4

Most common spareparts



Switch FAST/SLOW
tiller head green
Item number M0121-SPEED-GROEN



Switch ON/OFF
tiller head green
Item number M0121-AANUIT-GROEN



Torsion spring for hook
(stainless steel)
Item number M0117



Italsea drive controller
in 24V / 36 bat,
in 30A / I_{max} 120A
Item number M2128



Carbon brushes (set of 4)
for Motor 600W
Item number M1037



LED battery indicator
(build-in)
Item number M0318

Most common spareparts



Cable harness 2
Item number M1132



Chassis cable charger
Item no M0158-Stekker



Fuse 5A
Item number M0506



Drive wheel Cleanroom
full rubber, non-marking
Gray Ø 250 x 80mm
Item number M0249



Fuse Maxi 80A
Item number M0191



Caster wheel
Gray Ø 125 mm
Item number M0120

applications



Generatorstraat 17-19
3903 LH Veenendaal
The Netherlands

T +31 (0)318 519900
E info@movexx.com
W www.movexx.com

